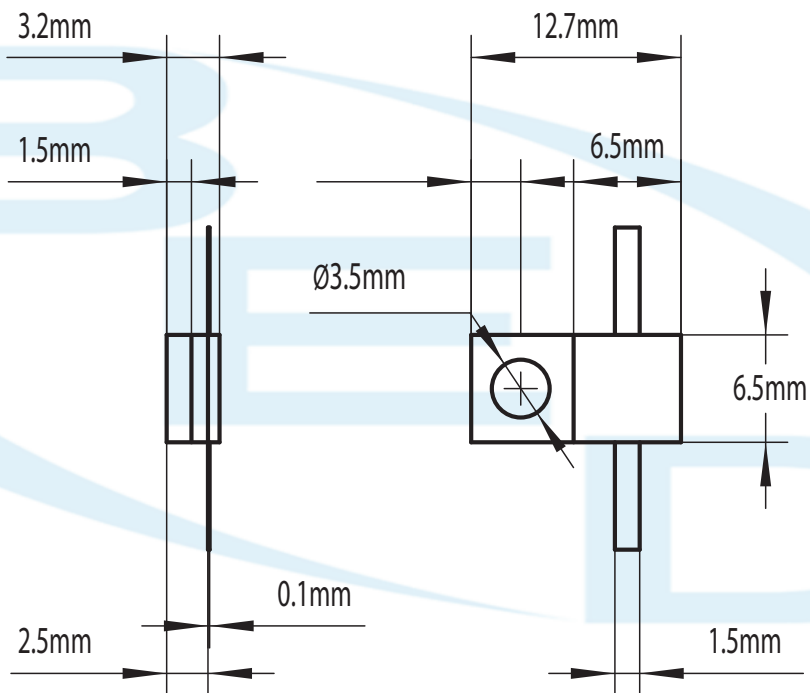


RESISTORS

RP40



Model	Power (w)	Impedance (Ω)	Frequency (GHz)
RP40	40	50、80、100	DC—3.2



Tel: +8610 80119366
Fax: +8610 69705030
E-mail: BED@RF-BED.com