



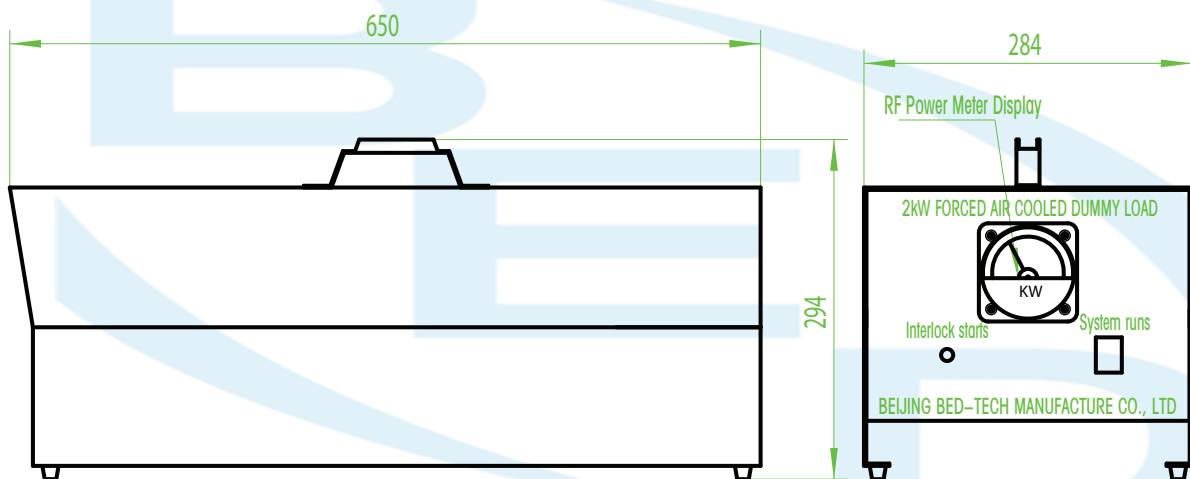
DLF SERIES AIR COOLED DUMMY LOAD

DLF 2kW

FORCED AIR COOLED DUMMY LOAD



| | |
|---------------------------|----------------------------------|
| Power rating | 2kW |
| Frequency range | DC-2MHz |
| Impedance | 50 Ω |
| VSWR | $\leq 1.10:1$ |
| Input connectors | 7/16 (or Customer's Demand) |
| Cooled | Forced air-cooled |
| Resistor | Metal oxide film |
| Temperature factor | $< 300\text{PPM}/^\circ\text{C}$ |
| Power meters | RF power meter display |
| Nominal dimensions | 650×284×294(mm) |
| Nominal weight | 14(kg) |
| Ambient temperature | -40°C ~ +45°C |
| Operating voltage/Current | AC220V/1A |



Tel: +8610 80119366
Fax: +8610 69705030
E-mail: BED@RF-BED.com