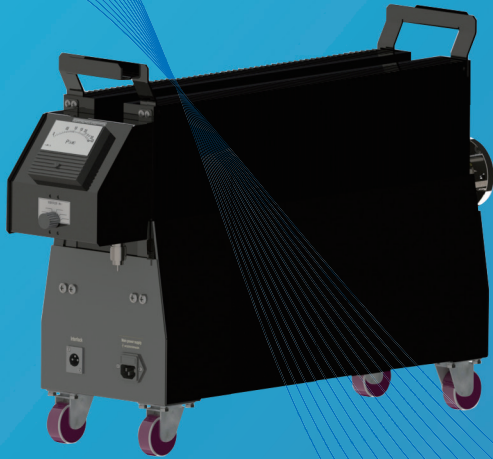




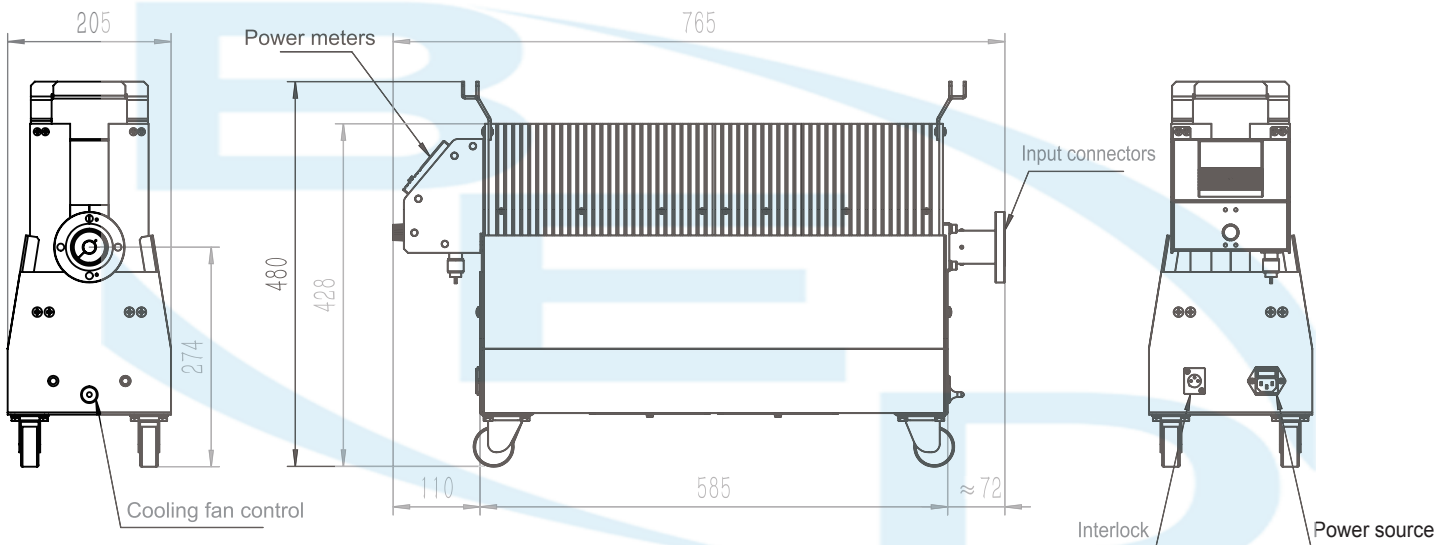
DLCP SERIES AIR COOLED
DUMMY LOAD POWER METER

DLCP2000W

FORCED AIR COOLED DUMMY LOAD POWER METER



Power rating	2000W
Frequency range	(I)DC-1GHz (II) 1-2GHz (III) 2-3.2GHz
Impedance	50 Ω
VSWR	≤1.10 (1GHz) ≤1.15 (2GHz) ≤1.30 (3.2GHz)
Input connectors	1 5/8" Rigid line, 1 5/8" EIA Flange 7/16, L27, 7/8" EIA Flange
Power meters	Meter display
Power measure accuracy	±5%
Cooled	Automatically forced air-cooled
Operating Voltage/Current	AC220V or 110V/1A
Nominal dimensions	765×205×480(mm)
Nominal weight	38(kg)
Ambient temperature	-40°C ~ +45°C



Tel: +8610 80119366
Fax: +8610 69705030
E-mail: BED@RF-BED.com